



SPECIFICATIONS for LG HERMETIC COMPRESSOR

R22

Customer : PHU DAI HUNG

Sep 21st, 2016 (Rev.0)

Q K S 2 0 8 P A D

PH – 220/240V – 50Hz

Application Range

Compressor Cooling	Natural		
Eva. Temp. Range	-10°C ~ 12°C	14°F ~ 54°F	
Condensing Temp.	65°C max.	149°F max.	
Return Gas Temp.	35°C max.	95°F max.	
Discharge gas Temp.	115°C max.	239°F max.	
Motor Wire Temp.	135°C max.	275°F max.	

Rated Performance

Capacity	12,500 / 12,600 Btu/h	3,663 / 3,693 Watts
Motor Input	1,136 / 1,175 W	
Current	5.3 / 5.2 A	
E.E.R (C.O.P)	11.0 / 10.7 Btu/W.h	3.23 / 3.14 W/W

Compressor Data

Design	Rolling Piston Typed Rotary
Displacement	20.8 cc/rev
Oil / Oil Charge	4GSI or NM56 / 380 ± 10 cc
Weight	12.8 Kg

Motor Data

Motor Type	2 Pole Induction (PSC)
Rated Output	920 W
Winding Resistance (at 25°C)	Main 3.09 ± 7% Ω Sub 3.92 ± 7% Ω
Voltage Range	198 V to 264 V
Locked Rotor Amps.	24 A

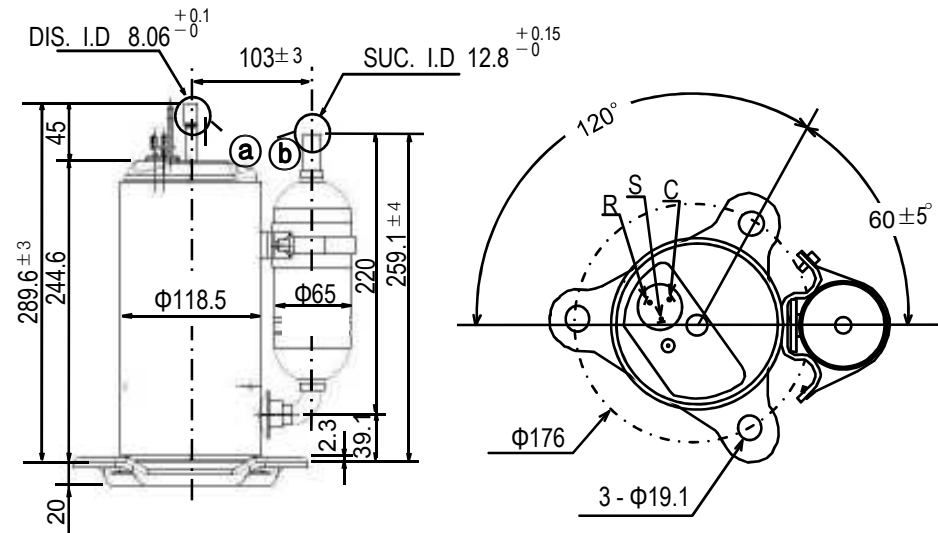
Electrical Components

Running Capacitor	45 μF 400 VAC
Overload Protector	Internal Type

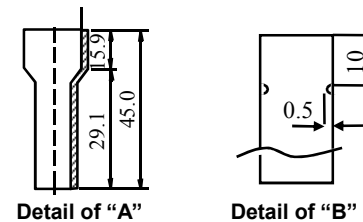
Capacity Test Conditions

Evaporating Temp.	7.2°C	45°F
Condensing Temp.	54.4°C	130°F
Return Gas Temp.	35.0°C	95°F
Liquid Temp.	46.1°C	115°F
Ambient Temp.	35.0°C	95°F

Standard Dimensions



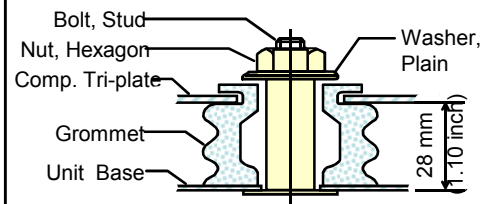
Suction & Discharge Tube detail



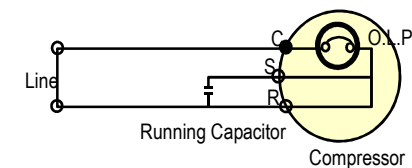
Refrigerant Charge Limit

[WRAC for Cooling Only] 1270g Max
 [WRAC for Heat Pump] 950g Max
 [SRAC for Cooling Only] 950g Max
 [SRAC for Heat Pump] 635g Max

Compressor Mounting



Wiring Diagram



※ C.S.R mark is embossed on a Cover Terminal

Specifications are subject to change without notice.
 Normal Performance value ± 5%.

Air Conditioning Compressor Division