



SPECIFICATIONS for LG HERMETIC COMPRESSOR

R22

Customer : PHU DAI HUNG

Sep 21st , 2016 (Rev.0)

Q K S 2 2 2 P A A

1PH – 220/240V – 50Hz

Application Range

Compressor Cooling	Natural		
Eva. Temp. Range	-10°C ~ 12°C	14°F ~ 54°F	
Condensing Temp.	65°C max.	149°F max.	
Return Gas Temp.	35°C max.	95°F max.	
Discharge gas Temp.	115°C max.	239°F max.	
Motor Wire Temp.	135°C max.	275°F max.	

Rated Performance

Capacity	13,450 / 13,500 Btu/h	3,942/ 3,956 Watts
Motor Input	1,260 / 1,345 W	
Current	5.8 / 5.9 A	
E.E.R (C.O.P)	10.7 / 10.0 Btu/W.h	3.13 / 2.94 W/W

Compressor Data

Design	Rolling Piston Typed Rotary
Displacement	22.2 cc/rev
Oil / Oil Charge	4GSI or NM56 / 380 ± 10 cc
Weight	12.5 Kg

Motor Data

Motor Type	2 Pole Induction (PSC)
Rated Output	990 W
Winding Resistance (at 25°C)	Main 2.96 ± 7% Ω Sub 4.02 ± 7% Ω
Voltage Range	198 ~ 264 V (Overload Condition)
Locked Rotor Amps.	32 A.

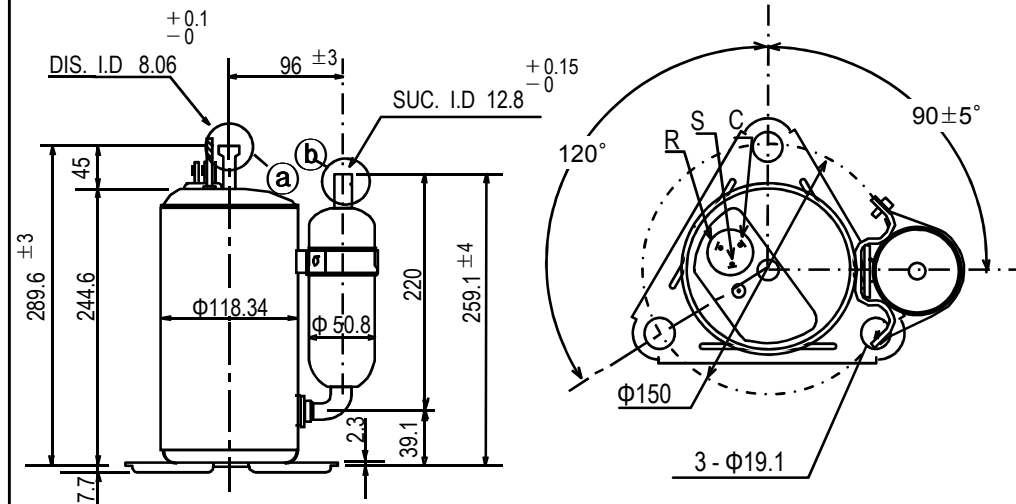
Electrical Components

Running Capacitor	35 μF 400 VAC
Overload Protector	Internal

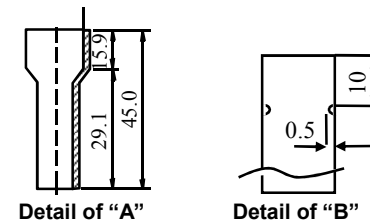
Capacity Test Conditions

Evaporating Temp.	7.2°C	45°F
Condensing Temp.	54.4°C	130°F
Return Gas Temp.	35.0°C	95°F
Liquid Temp.	46.1°C	115°F
Ambient Temp.	35.0°C	95°F

Standard Dimensions



Suction & Discharge Tube detail

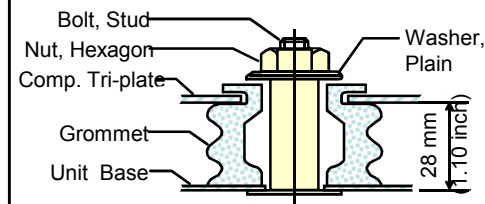


Refrigerant Charge Limit

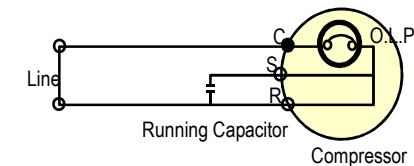
[WRAC for Cooling Only] 733g Max
[WRAC for Heat Pump] 550g Max

[SRAC for Cooling Only] 550g Max
[SRAC for Heat Pump] 367g Max

Compressor Mounting



Wiring Diagram



* C.S.R mark is embossed on a Cover Terminal

Specifications are subject to change without notice.
Normal Performance value ± 5%.

Air Conditioning Compressor Division